

COVID-19 Update

Everyone keeps asking how we are doing so we thought we would lead with an update.

DARcorporation is located in Lawrence (Douglas County), Kansas, which is also home of the University of Kansas. Douglas County has a population of 122,259 and as of May 19, 2020 has reported a total of 62 COVID-19 cases. The county currently has 8 active cases, and no reported deaths.

We must credit these low numbers to the DGCO Health Department which shut everything down on March 16, including The University of Kansas so the students did not return to Lawrence after Spring Break.

DARcorporation went on total lock down and split the engineering staff with half working from home and half coming into the office each day. The reduced staff allows everyone to maintain the mandatory 6-foot distance. We cancelled all corporate travel, conferences and airshows.

The state of Kansas is currently relaxing the shut-down, but DARcorporation will continue our safety practices through the end of May. Our clients and staff are our primary priorities and we will always do everything possible to guarantee a successful outcome.

We would love to hear how you are doing and as always, do not hesitate to contact us if you need our services or software products. We will always be here for you.

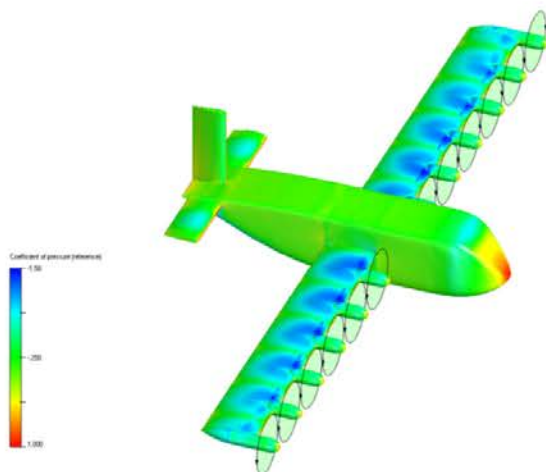
Willem & MaryJo Anemaat

Software Releases



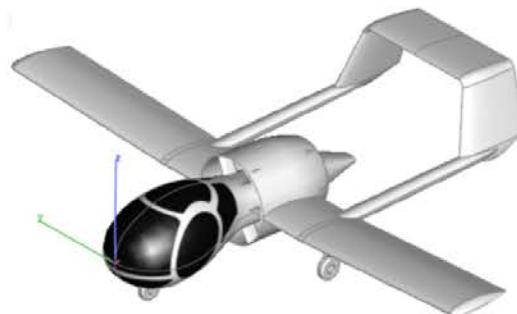
[FlightStream® Version 2020.1](#)

- New Viscous Drag Mode: Boundary Layer Momentum Integral
- New Coordinate Systems Rotation Tool
- New File Export Option: Force Distributions Export File



[SharkCAD-Pro Version 12.0](#)

- PowerPack Now Included!
- Split Mesh into two portions based on cutting plane
- HeightMap to 3D Mesh: convert 2D image to 3D object
- Mesh to Analytic to convert mesh data into precise solids
- Import PDF and Adobe Illustrator



[Contact Us](#) for Software Pricing

Online Store



[AE Books](#)



[CAD Models](#)

Disclaimer: All models are based on publicly available data. DARcorporation does not guarantee the "true to life" accuracy of these models due to limited information



[Click Here to Unsubscribe](#)